

QBDC-4000-6000-K4-40-NS

4~6GHz, 400W, 40dB

Features:

- * Broadband
- * High Power
- * Low Insertion Loss

Applications:

- * Amplifiers
- * Transmitter
- * Laboratory Test
- * Radar

Electrical

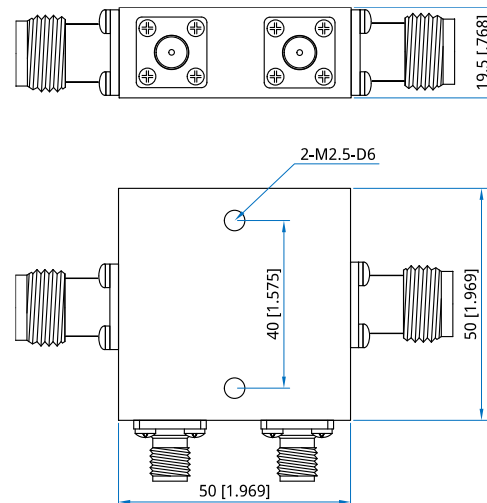
Frequency:	4~6GHz
Insertion Loss:	0.6dB max.
Coupling:	40±1.5dB
VSWR:	1.3 max.
Average Power:	400W min.
Directivity:	10dB min.

[1] Derated linearly to 0.5W@120°C.

Mechanical

Size* ¹ :	50*50*22.6mm 1.969*1.969*0.89in
Connectors:	SMA Female, N Female
Mounting:	2-M2.5, depth 6mm

[1] Exclude connectors.

Outline Drawings


Unit: mm [in]

Tolerance: ±0.2mm [±0.008in]

How To Order

QBDC-4000-6000-K4-40-NS

Customization is available upon request.